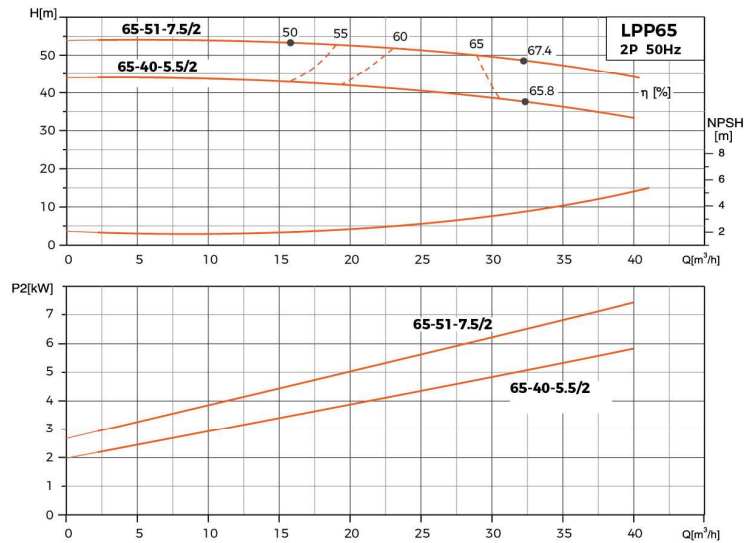
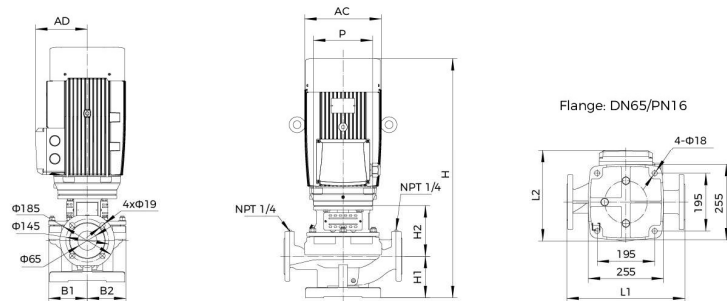


Hydraulic Performance Curves

LPP65	Rated speed: 2900r/min	Max. working pressure: 16bar
--------------	-------------------------------	-------------------------------------



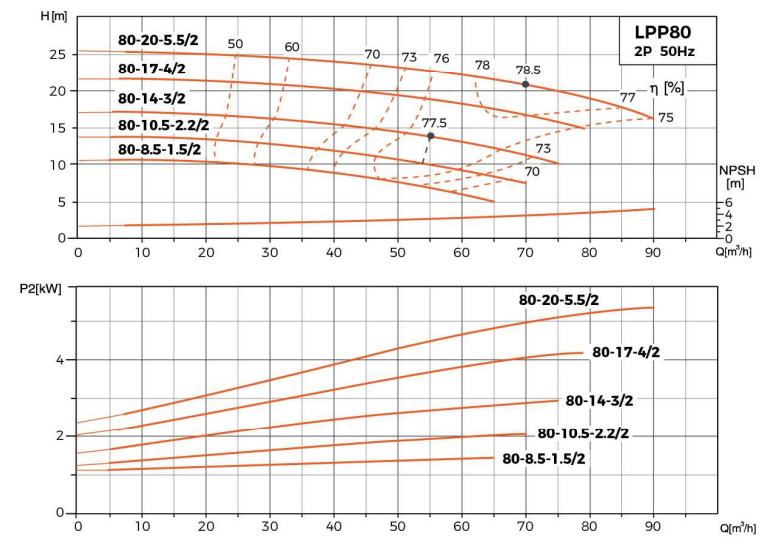
Dimension



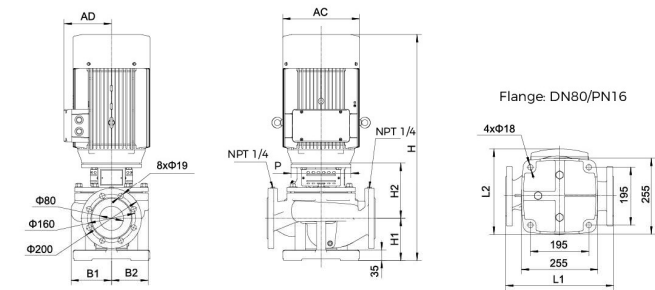
Model	L1 (mm)	L2 (mm)	H (mm)	H1 (mm)	H2 (mm)	B1 (mm)	B2 (mm)	P (mm)	AD (mm)	AC (mm)
LPP65-51-7.5/2	400	273	810	140	171	131	131	Φ200	175	254
LPP65-40-5.5/2	400	273	810	140	171	131	131	Φ200	175	254

Hydraulic Performance Curves

LPP80	Rated speed: 2900r/min	Max. working pressure: 16bar
--------------	-------------------------------	-------------------------------------



Dimension



Model	L1 (mm)	L2 (mm)	H (mm)	H1 (mm)	H2 (mm)	B1 (mm)	B2 (mm)	P (mm)	AD (mm)	AC (mm)
LPP80-20-5.5/2	360	266.5	826	140	186.5	135	124	Φ200	175	254
LPP80-17-4/2	360	259	740	140	202	135	124	Φ160	143	210
LPP80-14-3/2	360	259	685	140	202	135	124	Φ160	120	186
LPP80-10.5-2.2/2	360	259	662	140	202	135	124	Φ140	128	164
LPP80-8.5-1.5/2	360	259	662	140	202	135	124	Φ140	128	164